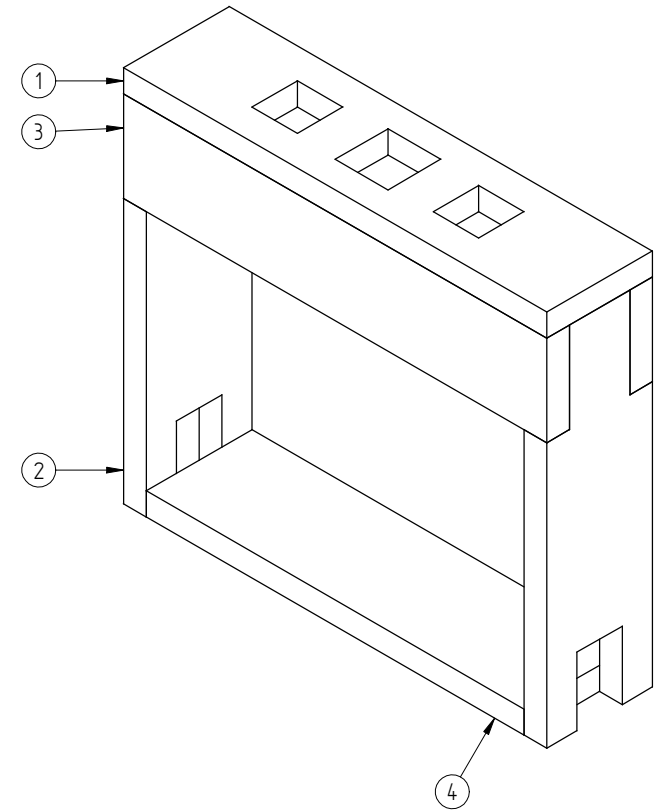
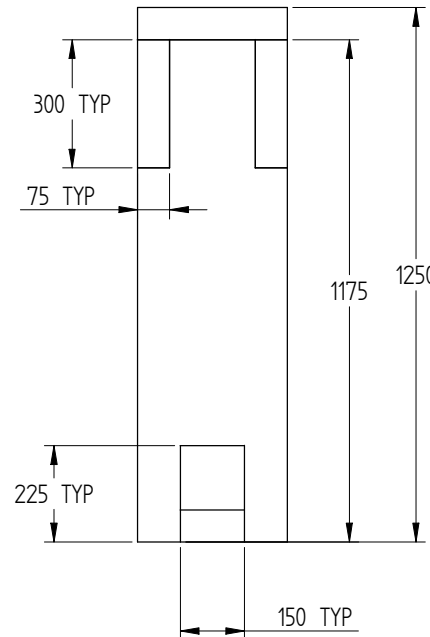
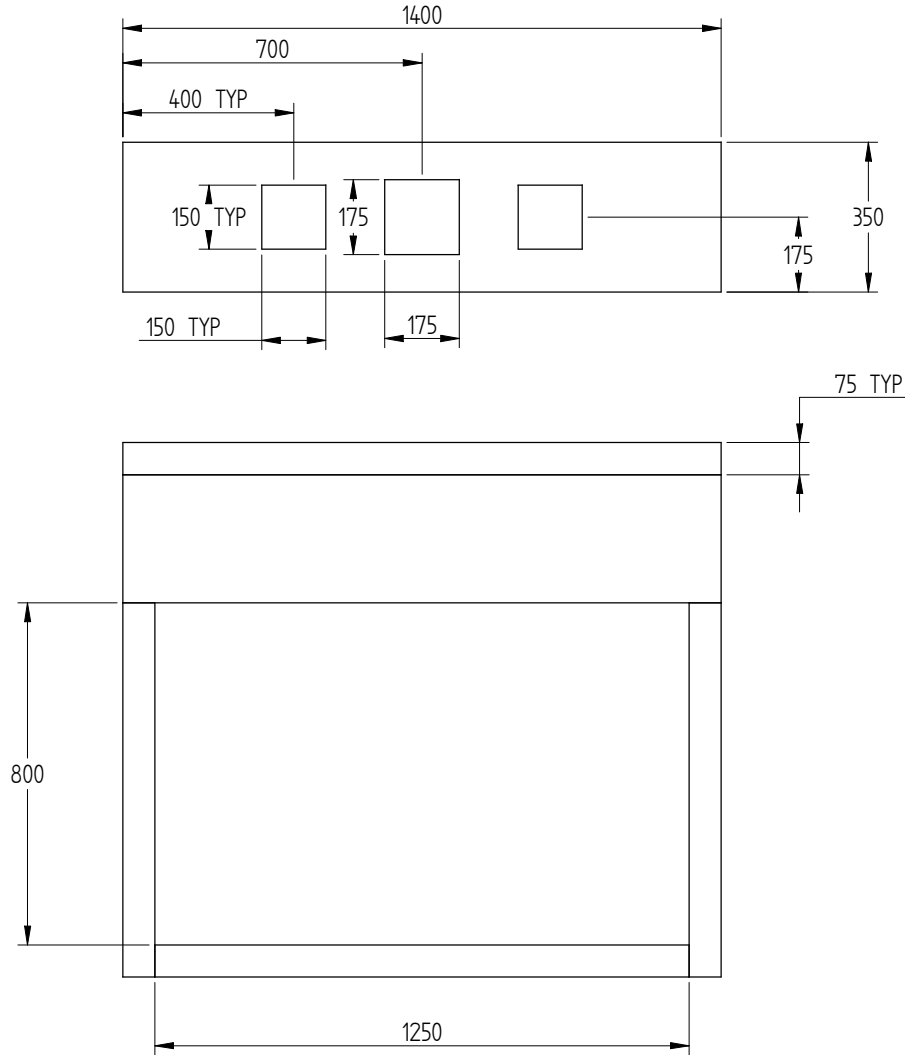


Item Number	Document Number	Title	Material	Quantity
1	FAB500104	1400X350X75	Hebel	1
2	FAB500105	1175X350X75	Hebel	2
3	FAB500106	1400X300X75	Hebel	2
4	FAB500110	1250X350X75	Hebel	1

<b>PART NUMBER : FAB900107</b>			<b>REVISION LEVEL :</b>
Amendment	Date	By	<b>TOLERANCES :</b>
			Decimal Places: 0 ± 0.5
			0.0 ± 0.2
			Angles Degrees: 0 ± 5°



Weight = 97.221 kg

**GLEN DIMPLEX AUSTRALASIA LTD**  
 38 HARRIS ROAD, EAST TAMAKI, AUCKLAND, NEW ZEALAND  
 Ph 09 274 8265, Fax 09 274 8472, Email : Eng\_Office@glendimplex.co.nz

Customer : GOA	Drawing No :	Drawn : ernesta	Date : 03/06/2008	Chk'd By :
Part Name : HEBEL ENCLOSURE GLANCE	Material : HEBEL 75MM THICK	Modified : ernesta	Date : 05/22/2008	Finish : Natural